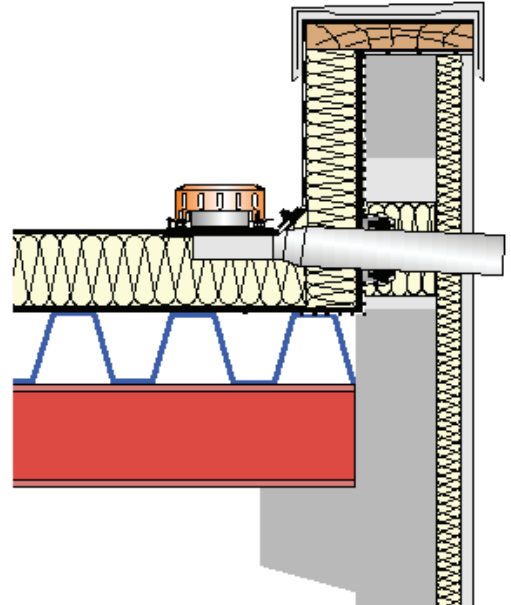


Specification sheet LX 667

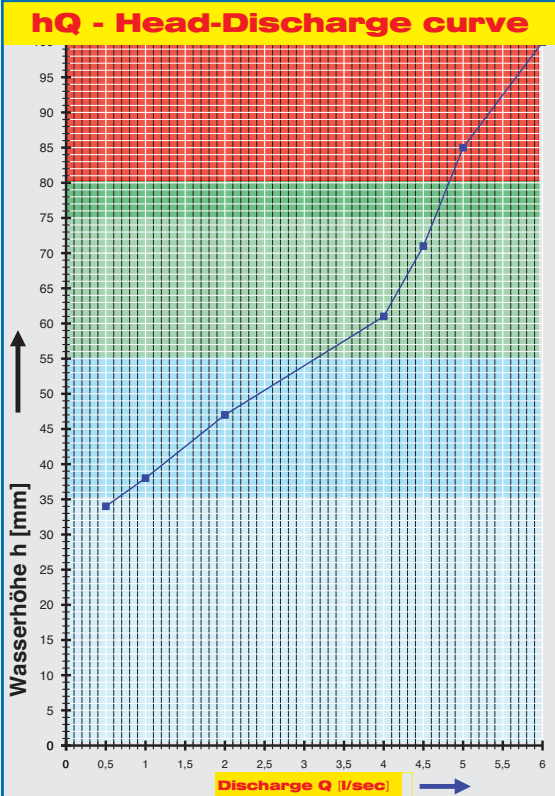
**Parapet roof drainage systems
Series 89 RAINSTAR®
with roof penetration of 55 mm
as spout**

Emergency flow
Gravity flow
Silent Power
Discharge rate: 4,6 l/sec
Water height: 75 mm
Roof penetration: 55 mm
Diameter: DN 100
LX-Number: LX 667
Weir height: 35 mm
Drain: belüftet
Downpipe: -
Downpipes height: 0 m
Drainage: on floor

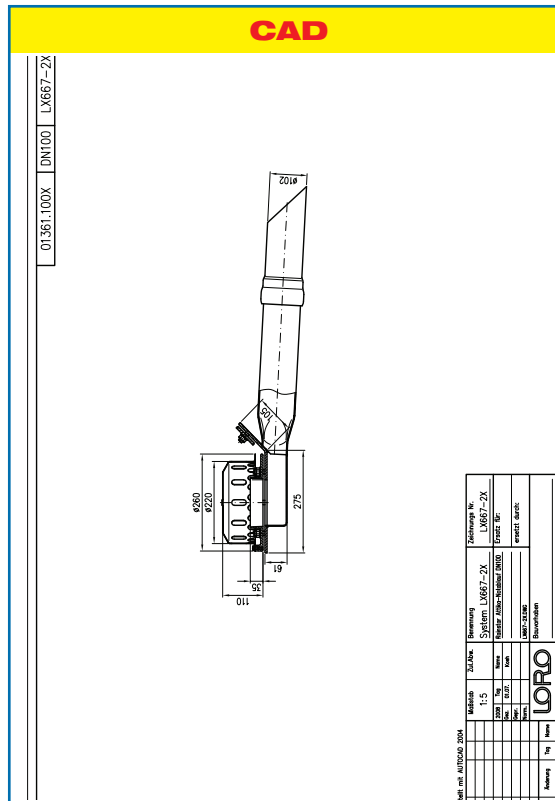


LX 667 Piece list

- 1 x Art.-No. 01361.100X, RAINSTAR® parapet drain
- 1 x Art.-No. 01401.100X, LORO-X Pipe with one socket
- 1 x Art.-No. 13235.100X, LORO-X Sliding flange
- 1 x Art.-No. 00911.100X, LORO-X Sealing element
- 1 x Art.-No. 00986.000X, LORO-X Lubricant



Systempower



Systemshape

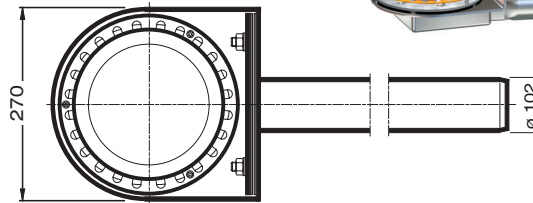
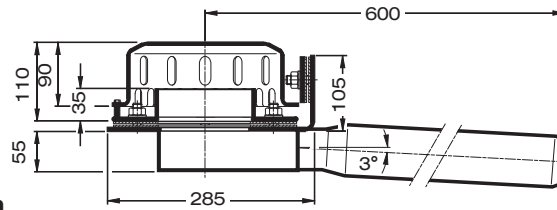
Water height	mm	5	10	15	20	25	30	35	40	45	50	55	60	65	70	75
Discharge	l/sec							0,6	1,2	1,7	2,4	3,1	3,8	4,2	4,4	4,6
Silent																

System variants for LORO-X RAINSTAR® parapet emergency drains

LX667-1X

Drain Art.-No. 01363.100X
Weight: 9,5 kg

Series 89
with roof penetration of 55 mm
clamping flange 90°
for plastic roofing sheets



LX667-2X

Drain Art.-No. 01361.100X
Weight: 9,3 kg

Series 89
with roof penetration of 55 mm
clamping flange 45°
for bituminous roofing sheets

